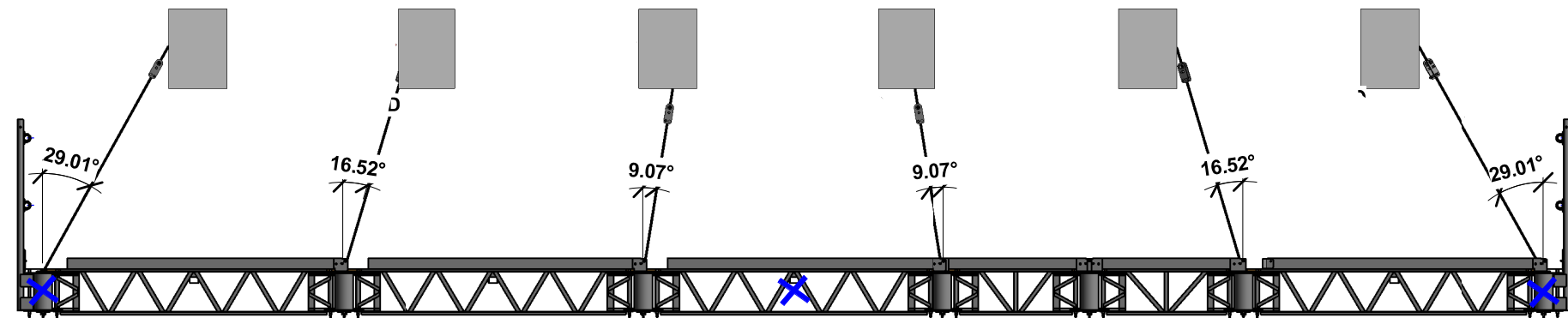
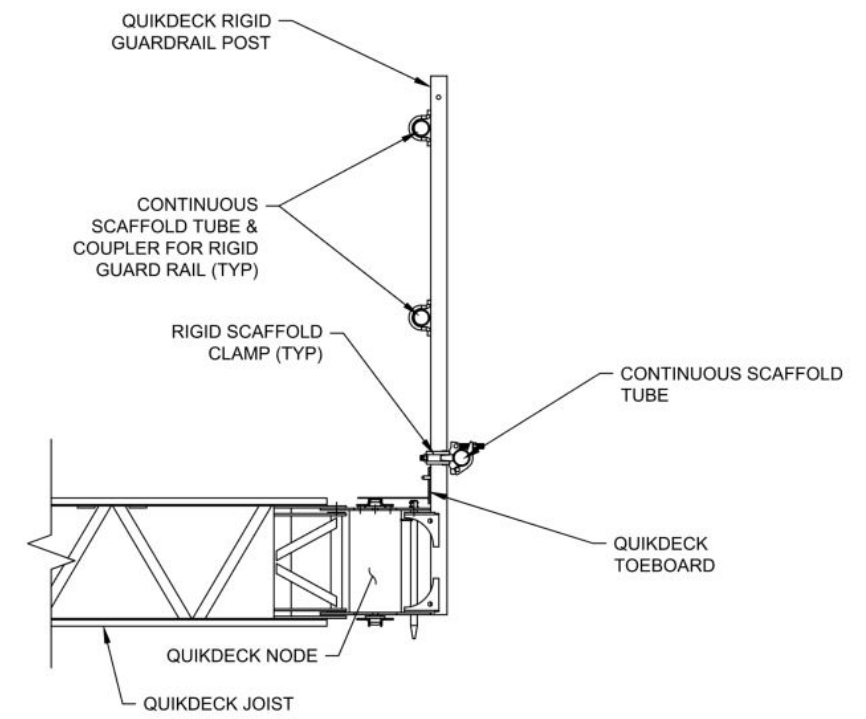


③ Isometric View



① Section 1
1/4" = 1'-0"



NOTE: DETAIL TYPICAL AT ALL PLATFORM PERIMETER NODE LOCATIONS UNLESS OTHERWISE INDICATED.

④ Guardrail detail
3/4" = 1'-0"

PULLMAN

Project Name:
Durham St. Bridge
Sketch Title :
Access Platform

Drawn By: CS
Date: 4/29/2024
Project No.: 660850
Rev.: R0
Sketch Name:

ACC-1